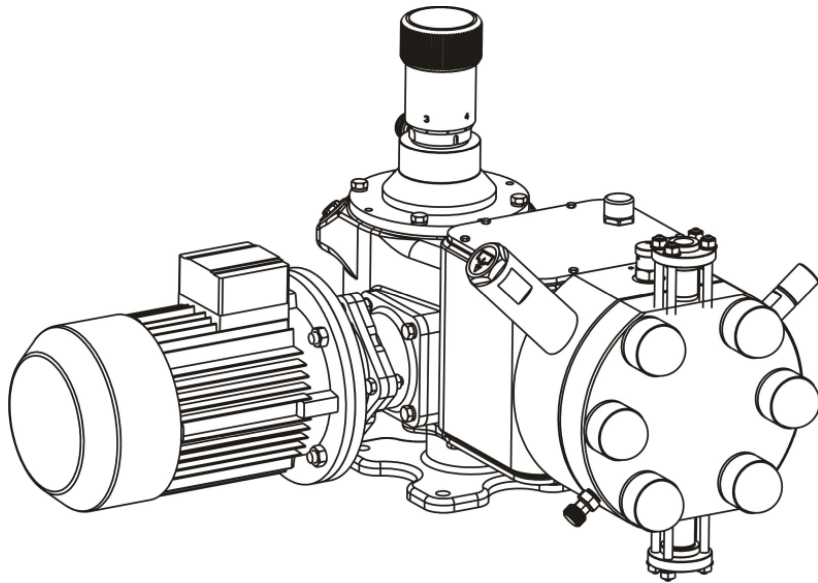


Technical characteristics



- Flow rates: from 22,1 to 609 lph @ 50Hz
- Max Pressure: 40 bar
- Ambient temperature: -10 °C + 40 °C
- Max altitude: 1000 m (A.S.L.)
- Fluid operating temperature: -10 °C + 70 °C
- Viscosity up to 1000 cP (Higher on request)
- Stroke adjustment during operation from 0 to 100%
- Accuracy $\pm 1\%$ on the turndown ratio 10:1
- Built-in overpressure valve
- Min NPSHr: 3 mwc \rightarrow High suction capability
- Double diaphragm and diagnostic of the rupture
- Diaphragm duration up to 20.000 hours, depending of the application
- Multiheads (up to six) solutions
- API 675 compliance
- CE marking
- ATEX Ex II 2 G c IIB T4 compliance
- Protection: IP 55
- Epoxy painting at 125 micron

nexa series includes plunger and hydraulic diaphragm dosing pumps designed in compliance with **API 675 Standards**; the conformity to the API Standards implies a “heavy duty” design, high safety and severe controls of the performances during the tests. The broad variety of heads execution offers a wide selection of dosing pumps to cover practically any application needs. In addition the full compliance with the **ATEX** European Directive gives the possibility to install these pumps in classified areas too.

Mechanism

Available in different sizes, they are mechanical return type, giving the maximum reliability in all working conditions.

General Specifications:

- Low noise integral gearbox, worm type, oil bath lubricated
- Reduced energy consumption based on low friction rolling bearings design
- High flexibility multiple mechanism solution to permit different piston speeds (SPM) on the same group
- Micrometric stroke length adjustment both manually and/or automatically actuated.
- Automatic stroke length variation by electrical servomotor, pneumatic actuator or frequency converter
- Linearity and repeatability in compliance with API 675 Standards.
- Easy “on field” installation of electrical servomotor on manual stroke adjustment mechanism.

Diaphragm Pumphead

- High capacity flexibility \rightarrow On site easy volume changing by changing the piston cartridge
- Easy to change spares parts (all “one cartridge” solution).
- Maximum compatibility PTFE diaphragm
- Visual or remote diaphragm failure detection

PUMP KEY CODE

1°	Number of pump head				
1	Simplex pump				
2°	Type of pump head (double diaphragm or packed-plunger)				
Y	Double diaphragm with built-in overpressure valve, air-bleed valve and mechanically actuated oil replenishing				
3°/4°	Plunger diameter				
20-70	from 20 to 70 mm				
5°/6°	Mechanism model				
N1	Stroke length 25 mm				
7°/8°	Pump head material				
2F	HEAD	DIAPHRAGM	BALL	VALVE SEAL	VALVE SEAT
	316SS	PTFE	316SS	316SS	316SS
9°	Valve type				
A	Single ball				
B	Double balls				
10°	General options				
7	Standard execution				
F	Flanged connections ANSI B16.5				
11°	Flow rate adjustment				
M	Manual with adjustment knob (Standard execution)				
E	Electric actuator				
P	Pneumatic actuator				
12°	Gear ratio				
D	1:12				
F	1:15				
13°	Electric motors poles				
4	4 poles				
6	6 poles				
14°	Installed power				
E	0,55 kW				
F	0,75 kW				
G	1,10 kW				
15°	Pump head options				
V	Visual diaphragm failure detection (Standard execution)				
R	Remote diaphragm failure detection				
16°	Mechanism options				
0	Standard execution				
5	Compliance with regulation "ATEX" 94/4/CE II 2 G c IIB T4 (for zone 1)				

1	Y	20	N1	2F	B	7	M	D	6	F	V	0
---	---	----	----	----	---	---	---	---	---	---	---	---



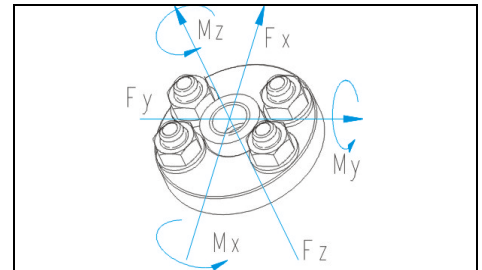
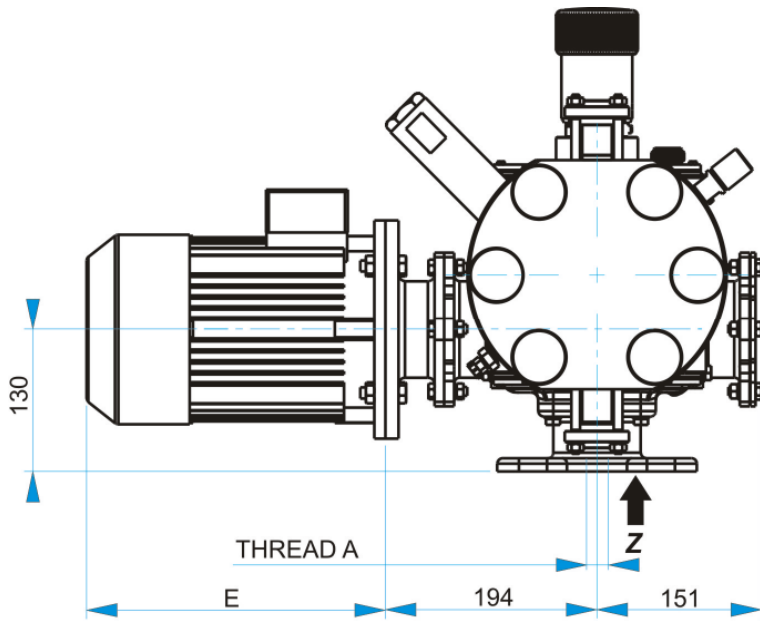
HYDRAULIC CHARACTERISTICS

Prestazioni/Performances:														50 Hz		60Hz												
														22,1/609 l/h		gph 7/193,5		Materiale testa						316L				
														40/12 bar		p.s.i. 560/174		Liquid end material										
														Portata alla max pressione	Max velocità			Portata alla max pressione	Max velocità	Motore Elettrico Kw						Attacchi asp/scar		
														<i>Flow rate at max pressure</i>	<i>Max speed</i>			<i>Flow rate at max pressure</i>	<i>Max speed</i>	<i>Electric motor kW</i>						<i>Suc/Dis Connec</i>		
																		0,55	0,75	1,1				E	F	G		
																		E	F	G								
																		Max pressione/Max pressure						Ø BSPP				
																		bar	p.s.i.	bar	p.s.i.	bar	p.s.i.					
Modello Pompa		Pump Model				Corse-		Corse-																				
				lph	gph	Strokes /min	lph	gph	Strokes /min																			
1	Y	2	0	N	1	2	F	B	7	M	F	6	E	V	0	22,1	5,8	62	27	7,0	74	40	580	-	-	-	-	1/4" F
1	Y	2	0	N	1	2	F	B	7	M	D	6	E	V	0	27,0	7,1	78	32	8,6	94	40	580	-	-	-	-	1/4" F
1	Y	2	0	N	1	2	F	B	7	M	F	4	E	V	0	31,6	8,4	93	38	10,0	112	40	580	-	-	-	-	1/4" F
1	Y	2	0	N	1	2	F	B	7	M	D	4	E	V	0	39,0	10,3	117	47	12,4	140	40	580	-	-	-	-	1/4" F
1	Y	3	0	N	1	2	F	B	7	M	F	6	F	V	0	57	15,1	62	69	18,2	74	-	-	40	580	-	-	1/2" F
1	Y	3	0	N	1	2	F	B	7	M	D	6	F	V	0	71	18,9	78	86	22,7	94	-	-	40	580	-	-	1/2" F
1	Y	3	0	N	1	2	F	B	7	M	F	4	G	V	0	85	22,4	93	102	26,9	112	-	-	-	-	40	580	1/2" F
1	Y	3	0	N	1	2	F	B	7	M	D	4	G	V	0	106	28,1	117	127	33,7	140	-	-	-	-	40	580	1/2" F
1	Y	4	0	N	1	2	F	A	7	M	F	6	F	V	0	103	27,2	62	123	32,6	74	-	-	39	566	-	-	3/4" F
1	Y	4	0	N	1	2	F	A	7	M	D	6	F	V	0	130	34,3	78	156	41,1	94	-	-	39	566	-	-	3/4" F
1	Y	4	0	N	1	2	F	A	7	M	F	4	G	V	0	155	41,0	93	186	49,1	112	-	-	-	-	39	566	3/4" F
1	Y	4	0	N	1	2	F	A	7	M	D	4	G	V	0	195	51,6	117	234	61,9	140	-	-	-	-	39	566	3/4" F
1	Y	5	0	N	1	2	F	A	7	M	F	6	F	V	0	170	45,0	62	204	54,0	74	-	-	23	334	-	-	3/4" F
1	Y	5	0	N	1	2	F	A	7	M	D	6	F	V	0	214	56,5	78	256	67,8	94	-	-	24	348	-	-	3/4" F
1	Y	5	0	N	1	2	F	A	7	M	F	4	G	V	0	254	67,3	93	305	80,8	112	-	-	-	-	24	348	3/4" F
1	Y	5	0	N	1	2	F	A	7	M	D	4	G	V	0	320	84,6	117	384	101,5	140	-	-	-	-	24	348	3/4" F
1	Y	7	0	N	1	2	F	A	7	M	F	6	F	V	0	325	86,1	62	390	103,3	74	-	-	12	174	-	-	1" F
1	Y	7	0	N	1	2	F	A	7	M	D	6	F	V	0	408	107,9	78	490	129,5	94	-	-	12	174	-	-	1" F
1	Y	7	0	N	1	2	F	A	7	M	F	4	G	V	0	485	128,4	93	583	154,1	112	-	-	-	-	12	174	1" F
1	Y	7	0	N	1	2	F	A	7	M	D	4	G	V	0	609	161,2	117	731	193,5	140	-	-	-	-	12	174	1" F

Test with water @ 20°C.

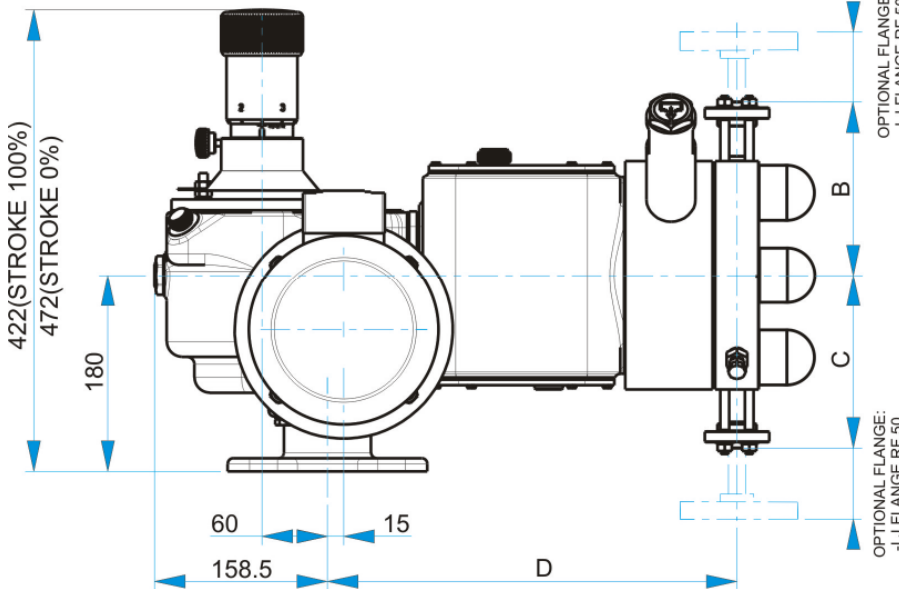
Fast delivery models



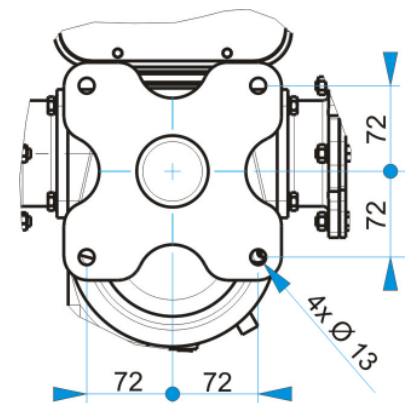


Allowable loads referred to pump nozzles

Fx	0.10 KN	Mx	0.04 KNm
Fy	0.12 KN	My	0.04 KNm
Fz	0.10 KN	Mz	0.04 KNm



FIXING HOLES - VIEW FROM Z



PUMP MDEL	DIMENSIONS [mm]				EXTIMATED WEIGHT Kg (without motor)	OPTIONAL FLANGE ANSI 300 MAX. TEMP. 38°C MAX. PRESSURE 40BAR SIZE
	A (EN10226)	B	C	D		
1Y20N12FB..	BSPP 1/4"F	163	163	335	63,5	1/2"
1Y30N12FB..	BSPP 1/2"F	194	194	376	85,5	1/2"
1Y40N12FA..	BSPP 3/4"F	187	187	381	89,5	1"
1Y50N12FA..	BSPP 3/4"F	187	187	381	89,5	1"
1Y70N12FA..	BSPP 1"F	237	237	389	115,5	1"

Electric motor size	4 Poles Kw	6 Poles Kw	TEFC 1xM20x1.5		EExde 1xM25x1.5	
			E	Kg	E	Kg
90	1.1	0.75	260	12	340	33
80	0.55	0.55	255	9	290	26