

kontrol 200

measuring and control instruments



innovation > technology > future

Kontrol 200



■ Wall-mounting version with IP66 degree protection (144 x 144 x 120 mm)



■ Panel-mounting version (144 x 144 x 100 mm)



■ Panel mounting version (96 x 96 x 133 mm)

Analyzer for measurements of pH/ORP, Conductivity, Inductive Conductivity, Dissolved Oxygen, Chlorine and Turbidity.

Features

1 analogue output

- Programmable for measure
- Output limits are freely programmable between the range of measures

4 digital outputs

ON –OFF Set Point: set of the operating range (hysteresis / direction) and of start/stop time 000...999 Seconds

Alarm

- Reporting: Instrumental anomalies, minimum, maximum, set point's delay, permanence time (live check)
- Delay time: 00:00...59:99mm:ss at minimum steps of 15sec
- Permanence time: 00:00...99:99 hh:mm
- Set Point disabling (in case of alarm): Enable / Disable
- Relays functioning: Closed / Open

Electrode washing

- Programming of the time leg (minimum 15min) and lasting.
- During the washing phase, all digital and analogue outputs are frozen.

Digital input

To disable dosages

RS485 Serial output

For set-up and real-time data acquisition from remote.

Manual controls

Possibility to simulate all the analogue and digital outputs using the keyboard.

Temperature compensation

Via Temperature sensor PT 100 with 3 or 4 wires, or PT 1000.

Models

Kontrol PR 200

process analyzer for measuring pH and ORP values

Code

K200PR

Kontrol CD 200

process analyzer for measuring Conductivity values

K200CD

Kontrol IN 200

process analyzer for measuring Inductive Conductivity values

K200IN

Kontrol OX 200

process analyzer for measuring Dissolved Oxygen values

K200OX

Kontrol CL 200

process analyzer for measuring Chlorine values

K200CL

Kontrol TB 200

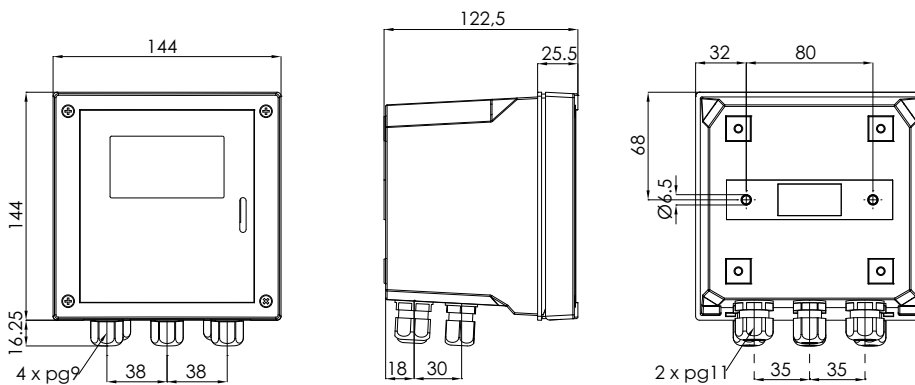
process analyzer for measuring Turbidity values

K200TB

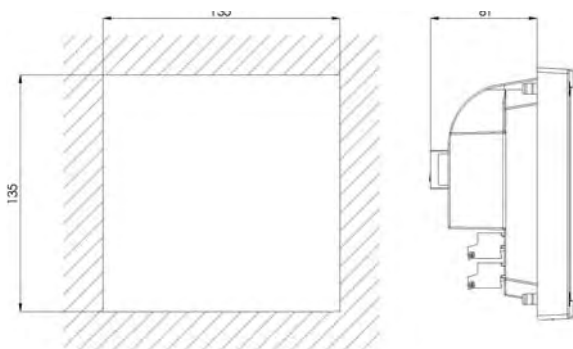
Features

Measuring Range	pH	0...14 pH	Resolution 0,01 pH
	ORP	±1500 mV	Resolution 1 mV
	Conductivity	0...20 µS;	Resolution 0,01 µS; 0,1 µS; 1 µS; 10 µS
		0...200 µS;	
		0...2.000 µS;	
		0...20.000 µS;	
		0...200.000 µS	
Inductive	0...1.000 µS;	Resolution 1 µS; 10 µS; 100 µS; 1.000 µS	
	0...10.000 µS;		
	0...100.000 µS;		
	0...1 Simens (0...999,999mS)		
Dissolved Oxygen	0...20,0 ppm or mg/l	Resolution 0,1 ppm or mg/l 1% SAT	
	0...200% SAT		
Chlorine	0...2 ppm;	Resolution 0,01 ppm	
	0...5 ppm;		
	0...10 ppm;		
	0...20 ppm		
Turbidity	0,00...40,00 NTU	Resolution 0,2 NTU	
Accuracy	± 1% f.s.		
Temperature Resolution	0...100°C (32...212 °F) (Accuracy 1% FS) with PT100		

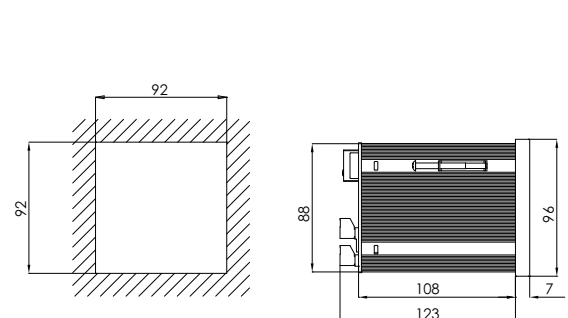
■ Wall-mounting version IP66



■ Panel-mounting version 144 x144



■ Panel-mounting version 96 x 96





Italy / Headquarters

■ Seko Spa

Via Salaria Km. 92,200
02010 S.Rufina - Rieti
Phone: +39 0746 605801
Fax: +39 0746 607072
sales@seko.com

Italy / Process & Systems

■ Seko Spa

Via Di Vittorio, 25 - 20068 Peschiera
Borromeo - Milano
Phone: +39 02 97372411
Fax: +39 02 55301744
info.psd@seko.cominfo@seko.com

Brazil

■ Seko do Brasil Comercio de Sistemas de Dosagem Limitada

03170-050 São Paulo (SP)
Phone: +55 11 2606 9878
Fax: +55 11 2606 9878
sekobrasil@sekobrasil.com.br
www.sekobrasil.com.br

China

■ Seko China Ltd

072750 Hebei
Phone: +86 312 552 0904
Fax: +86 312 552 0901
china@seko.com
www.sekochina.com

Denmark

■ Seko Denmark

DK-4930 Maribo
Phone: +45 5475 7545
Fax: +45 5474 7545
info@seko.com

France

■ Seko Lefranc-Bosi S.A.

77435 - Marne La Vallee Cedex 2
Phone: +33 1 6005 9060
Fax: +33 1 6480 4104
lefrancbosi@lefrancbosi.com
service.commercial@seko.fr
www.lefrancbosi.com

Germany

■ Seko Deutschland GmbH

55252 Mainz - Kastel
Phone: +49 6134 2858 10
Fax: +49 6134 2858 29
info@seko-messtechnik.de
www.seko-germany.com

Romania

■ Seko Sieta S.r.l.

400393 Cluj-Napoca
Phone: +40 264 415 251
Fax: +40 264 415 622
info.dpro@seko.com

Russia

■ 000 Seko

129347 - Moscow
Phone: +74 99 182 52 36
Fax: +74 99 182 52 36
sekorussia@seko.com
www.sekorussia.ru

Singapore

■ Seko Dosing Systems Asia Pacific Pte Ltd

608838 Singapore
Phone: +65 6515 6996
Fax: +65 6515 5079
asiapacific@seko.com

South Africa

■ Seko Southern Africa (PTY) Ltd

Kyasand - Johannesburg - Gauteng
Phone: +27 11 704 6589
Fax: +27 11 704 6588
sales@sekosa.co.za

Spain

■ Seko Iberica

08960 San Just Desvern
Barcelona
Phone: +34 93 4802 570
Fax: +34 93 4802 571
sekoiberica@sekoiberica.com

Sweden

■ Seko Sweden

26123 Landskrona
Phone: +46 418 448 482
Fax: +46 418 448 483
info@seko.com

Turkey

■ Seko endüstriyel pompalar ve proses sistemleri san. ve tic. Ltd. sti.

Kartal Istanbul
Phone: +90 216 353 2542
Fax: +90 216 353 1450
info@seko.com.tr

United Kingdom

■ Seko UK - Chemical Controls Ltd

Harlow, Essex - CM19 5JH
Phone: +44 1279 423550
Fax: +44 1279 423993
seko.uk@seko.com
www.sekouk.com

USA

■ Seko Dosing Systems Corporation USA

Tullytown - PA 19007 (USA)
Phone: +1 215 945 01 25
Fax: +1 215 945 09 37
sales@sekousa.com
www.sekousa.com



www.seko.com