

# PERISTALTIC DOSING PUMP DYNAMIK

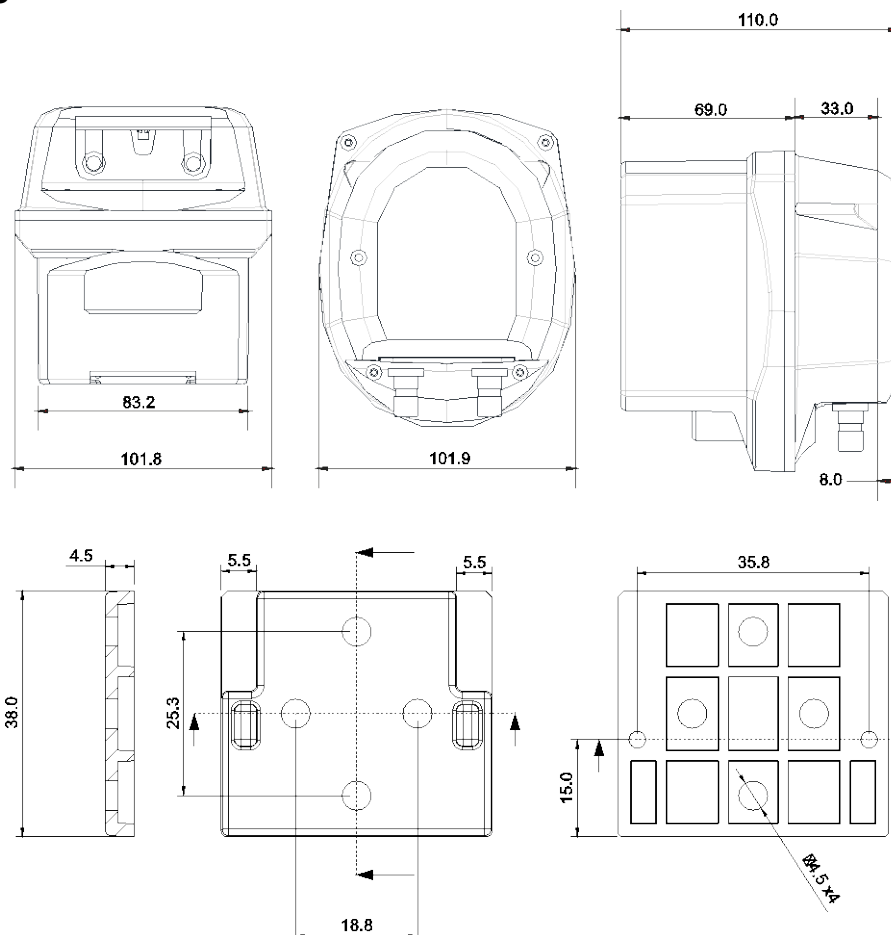


Seko SpA declares that the pump code SKLR0015M3001 has the following features:



<b>CERTIFICATION</b>	CE
<b>TYPE</b>	LR
<b>POWER SUPPLY</b>	100÷240 Vac 50/60 Hz
<b>CONSUMPTION</b>	3.5 W
<b>PERISTALTIC TUBE MATERIAL</b>	Sekoflex (6x10)
<b>CC/REVOLUTION</b>	2.5
<b>FITTING [mm]</b>	Ø 8x12
<b>FLOW-RATE</b>	15 l/h
<b>BACKPRESSURE</b>	0,1 BAR
<b>MPA</b>	0,01
<b>PSI</b>	1,450
<b>GPD</b>	95,04
<b>GPH</b>	3,960
<b>IP DEGREE</b>	IP 65

## DIMENSIONS



SEKO spa has taken all reasonable measures about the accuracy of this translation, but regrets that no responsibility can be accepted for any error, omission or inaccuracy. In case of doubt or dispute, as provided by the European Directive, only the original language text is valid.